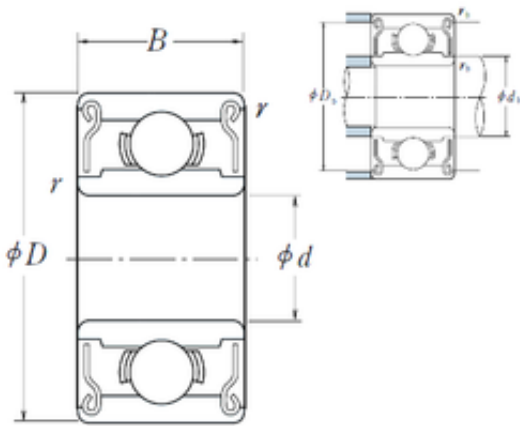




# BEARING PRECISION AXLE CORP.



3 mm x 9 mm x 4 mm ISO MR93ZZ deep groove ball bearings

Bearing No. MR93ZZ

Size	3x9x4 mm
Bore Diameter	3 mm
Outer Diameter	9 mm
Width	4 mm
d	3 mm
D	9 mm
B	4 mm
C	4 mm
r min.	0,15 mm

MR93ZZ Bearing 2D drawings and 3D CAD models