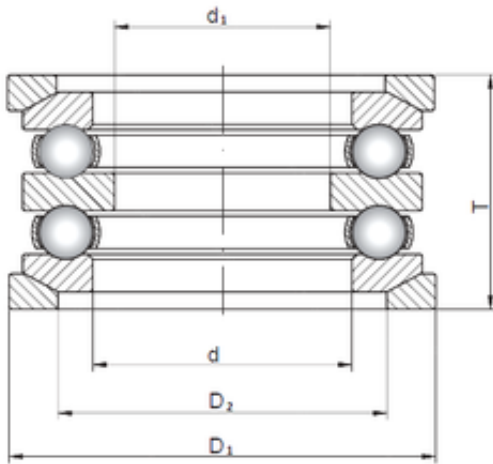




BEARING PRECISION AXLE CORP.

ISO 54411U+U411 thrust ball bearings

Bearing No. 54411U+U411



Bore Diameter	57 mm
d	57 mm
d1	45 mm
D1	125 mm
D2	88 mm
T	101 mm

54411U+U411 Bearing 2D drawings and 3D CAD models