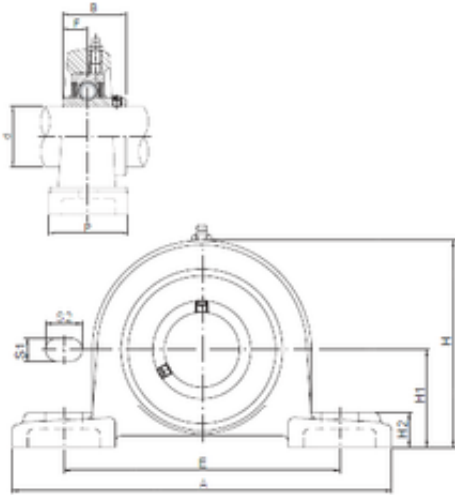




# BEARING PRECISION AXLE CORP.

## ISO UCP316 bearing units



Bearing No. UCP316

Bore Diameter	80 mm
d	80 mm
S1	27 mm
P	110 mm
A	400 mm
B	86 mm
E	300 mm
F	34 mm
H	210 mm
H1	106 mm
H2	40 mm
S2	40 mm
Bolt (G)	M22

UCP316 Bearing 2D drawings and 3D CAD models