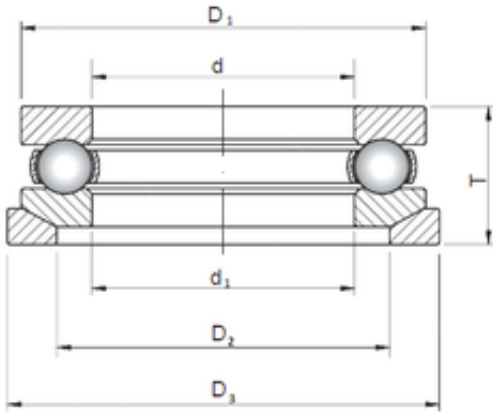




# BEARING PRECISION AXLE CORP.

## ISO 53313U+U313 thrust ball bearings

Bearing No. 53313U+U313



Bore Diameter	65 mm
Outer Diameter	115 mm
d	65 mm
d1	67 mm
D	115 mm
D1	115 mm
T	43 mm
D2	90 mm
D3	120 mm

53313U+U313 Bearing 2D drawings and 3D CAD models