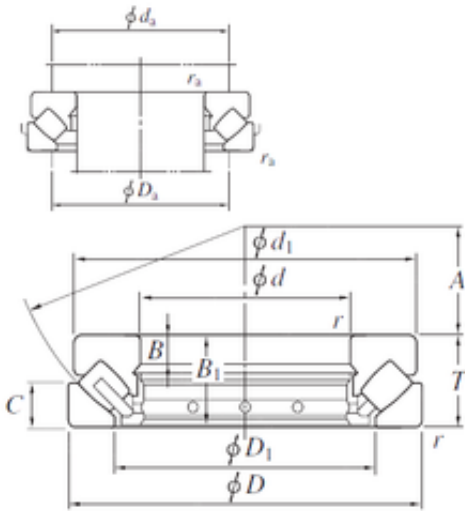




BEARING PRECISION AXLE CORP.

630 mm x 1090 mm x 100 mm KOYO 294/630
thrust roller bearings

Bearing No. 294/630



294/630 Bearing 2D drawings and 3D CAD models

Size	630x1090x280 mm
Bore Diameter	630 mm
Outer Diameter	1090 mm
Width	280 mm
d	630 mm
D	1090 mm
T	280 mm
d1	1040 mm
r min.	12 mm
A	365 mm
B	100 mm
B1	270 mm
C	136 mm
D1	830 mm
da min.	835 mm
Da max.	940 mm
ra max.	10 mm
Weight	1110 Kg
Basic dynamic load rating (C)	12200 kN