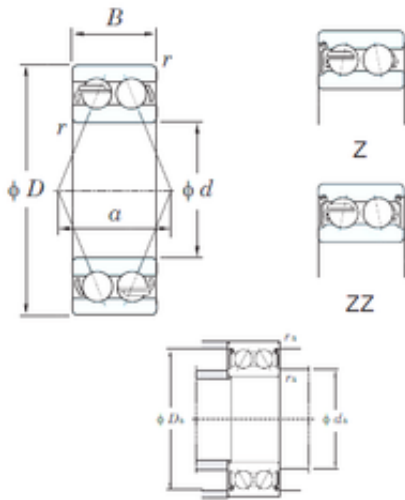




BEARING PRECISION AXLE CORP.



5207ZZ Bearing 2D drawings and 3D CAD models

35 mm x 72 mm x 27 mm KOYO 5207ZZ
angular contact ball bearings

Bearing No. 5207ZZ

Size	35x72x27 mm
Bore Diameter	35 mm
Outer Diameter	72 mm
Width	27 mm
d	35 mm
D	72 mm
B	27 mm
C	27 mm
a	36.1 mm
r min.	1.1 mm
da min.	42 mm
da max	43.9 mm
Da max.	65 mm
ra max.	1 mm
Weight	0.430 Kg
Basic dynamic load rating (C)	31.7 kN
Basic static load rating (C0)	24.6 kN
Category	Angular Contact Ball Bearings
Inventory	0.0
Manufacturer Name	KOYO
Minimum Buy Quantity	N/A
Weight / Kilogram	0.471
EAN	0060579003697
Product Group	B00152



BEARING PRECISION AXLE CORP.

Enclosure	2 Metal Shields
Flush Ground	No
Rolling Element	Ball Bearing
Number of Rows of Balls	Double Row
Precision Class	ABEC 1 ISO P0
Maximum Capacity / Filling Slot	No
Snap Ring	No
Cage Material	Steel
Contact Angle	24 Degree
Internal Clearance	C0-Medium
Number of Bearings	1 (Single)
Inch - Metric	Metric
Long Description	35MM Bore; 72MM Outside Diameter; 27MM Width; 2 Metal Shields; No Flush Ground; Ball Bearing; Double Row of Balls; ABEC 1 ISO P0; No Filling Slot; No Snap Ring; C0-Medium; Steel Cage; 24 Degree; 1 (
Category	Angular Contact Ball Bearing
UNSPSC	31171531
Harmonized Tariff Code	8482.10.50.28
Noun	Bearing
Keyword String	Angular Contact
Manufacturer URL	http://www.koyousa.com
Outside Diameter	2.835 Inch 72 Millimeter
Width	1.063 Inch 27 Millimeter
Bore	1.378 Inch 35 Millimeter