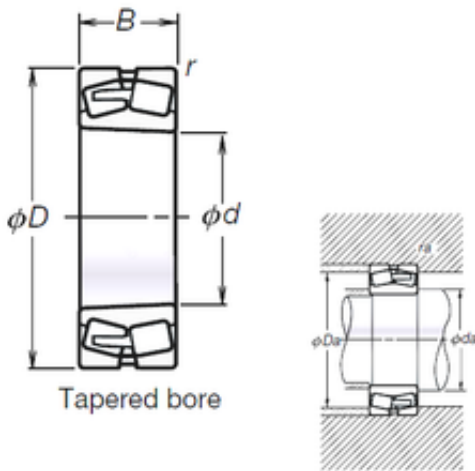




BEARING PRECISION AXLE CORP.



260 mm x 440 mm x 144 mm NSK
TL23152CAKE4 spherical roller bearings

Bearing No. TL23152CAKE4

Size	260x440x144 mm
Bore Diameter	260 mm
Outer Diameter	440 mm
Width	144 mm
d	260 mm
D	440 mm
B	144 mm
C	144 mm
r min.	4 mm
da min.	278 mm
Da min	422 mm
Da max.	380 mm
ra max.	3 mm
Weight	88,2 Kg
Basic dynamic load rating (C)	2160 kN
Basic static load rating (C0)	3750 kN
(Grease) Lubrication Speed	600 r/min
(Oil) Lubrication Speed	800 r/min
Calculation factor (e)	0,32
Calculation factor (Y0)	2,1
Calculation factor (Y2)	3,2

TL23152CAKE4 Bearing 2D drawings and 3D CAD models