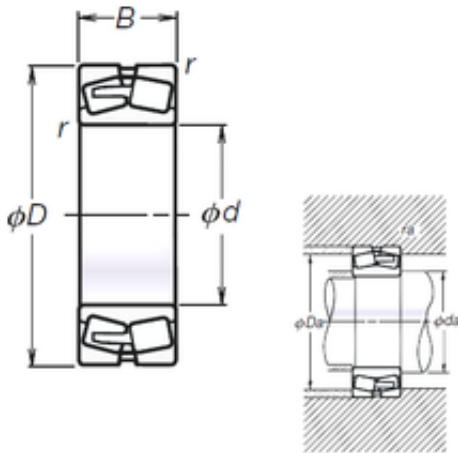




# BEARING PRECISION AXLE CORP.

65 mm x 120 mm x 31 mm NSK 22213L11CAM spherical roller bearings



Bearing No. 22213L11CAM

Size	65x120x31 mm
Bore Diameter	65 mm
Outer Diameter	120 mm
Width	31 mm
d	65 mm
D	120 mm
B	31 mm
C	31 mm
r min.	1,5 mm
Basic dynamic load rating (C)	152 kN

22213L11CAM Bearing 2D drawings and 3D CAD models