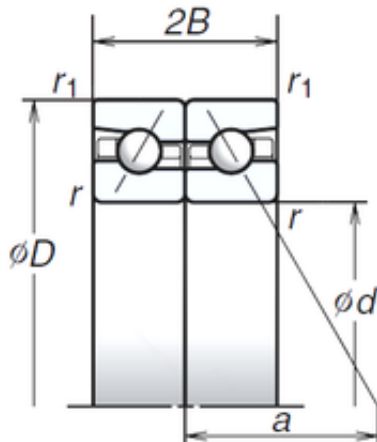




## BEARING PRECISION AXLE CORP.

120 mm x 180 mm x 27 mm NSK 120BTR10H  
angular contact ball bearings



Bearing No. 120BTR10H

Size	120x180x27 mm
Bore Diameter	120 mm
Outer Diameter	180 mm
Width	27 mm
d	120 mm
D	180 mm
B	27 mm
C	27 mm
Angle ( ° )	40 °
a	76,4 mm
r min.	2 mm
r1 min.	1 mm
2B	54 mm
Weight	2,114 Kg
Basic dynamic load rating (C)	68 kN
Basic static load rating (C0)	160 kN
(Grease) Lubrication Speed	5 000 r/min
(Oil) Lubrication Speed	6 400 r/min

120BTR10H Bearing 2D drawings and 3D CAD models