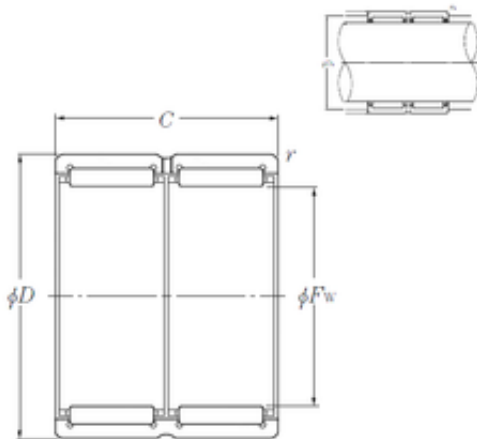




BEARING PRECISION AXLE CORP.

NTN RNA6903R needle roller bearings



Bearing No. RNA6903R

Size	22x30x23 mm
Bore Diameter	22 mm
Outer Diameter	30 mm
Width	23 mm
Fw	22 mm
D	30 mm
C	23 mm
r min.	0,3 mm
Da max.	28 mm
ra max.	0,3 mm
Weight	0,042 Kg
Basic dynamic load rating (C)	18,2 kN
Basic static load rating (C0)	27,2 kN
(Grease) Lubrication Speed	12000 r/min
rs min	0.3 mm
Dw	2.5 mm
Lw	17.8 mm
Lubrication hole on outer ring	Oui/Yes
k	2.5 mm
Radial clearance class	CN
Precision class	P0
Mass	0.04 kg
Cr	18.2 kN
C0r	27.2 kN
Nlim (grease)	12,000 rpm

RNA6903R Bearing 2D drawings and 3D CAD models



BEARING PRECISION AXLE CORP.

Nlim (oil)	18,000 rpm
Min operating temperature, Tmin	-20 ° C
Max operating temperature, Tmax	120 ° C
Characteristic cage frequency, FTF	0.45 Hz
Characteristic rolling element frequency, BSF	9.7 Hz
Characteristic outer ring frequency, BPF0	7.63 Hz
Characteristic inner ring frequency, BRF1	9.37 Hz
Da max	28 mm
ras max	0.3 mm
Category	Roller Bearings
Inventory	0.0
Manufacturer Name	NTN
Minimum Buy Quantity	N/A
Weight / Kilogram	0.041
Product Group	B04144
bore diameter:	22 mm
maximum rpm:	18000 RPM
outside diameter:	30 mm
flanges:	No Flange
overall width:	23 mm
series:	RNA69
needle bearing type:	Machined Bearing with No Inner Ring
lubrication hole type:	No Hole
closure type:	Open
precision rating:	Not Rated
dynamic load capacity:	1850 kgf
standards met:	JIS B 1512



BEARING PRECISION AXLE CORP.

static load capacity:	2770 kgf
-----------------------	----------