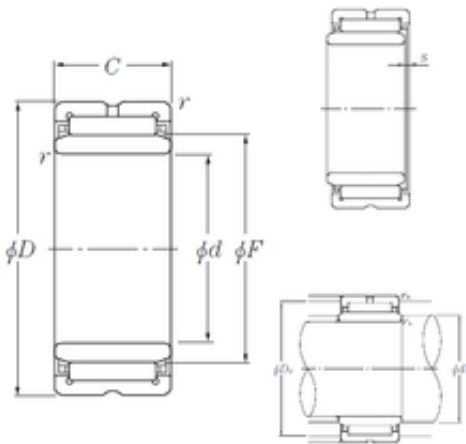




# BEARING PRECISION AXLE CORP.



130 mm x 180 mm x 50 mm NTN NA4926  
needle roller bearings

Bearing No. NA4926

NA4926 Bearing 2D drawings and 3D CAD models

Size	130x180x50 mm
Bore Diameter	130 mm
Outer Diameter	180 mm
Width	50 mm
d	130 mm
F	150 mm
D	180 mm
B	50 mm
C	50 mm
r min.	1,5 mm
s	1,5 mm
da min.	138 mm
Da max.	172 mm
ra max.	1,5 mm
Weight	3,9 Kg
Basic dynamic load rating (C)	202 kN
Basic static load rating (C0)	455 kN
(Grease) Lubrication Speed	1 800 r/min
rs min	1.5 mm
s max	1.5 mm
Dw	9 mm
Lw	40 mm
Lubrication hole on outer ring	Oui/Yes
k	3.5 mm



## BEARING PRECISION AXLE CORP.

Lubrication hole on inner ring	Non/No
Radial clearance class	CN
Precision class	P0
Mass	3.9 kg
Cr	202 kN
C0r	455 kN
Nlim (grease)	1,800 rpm
Nlim (oil)	2,700 rpm
Min operating temperature, Tmin	-20 ° C
Max operating temperature, Tmax	120 ° C
Characteristic cage frequency, FTF	0.47 Hz
Characteristic rolling element frequency, BSF	17.61 Hz
Characteristic outer ring frequency, BPF0	15.09 Hz
Characteristic inner ring frequency, BPF1	16.91 Hz
da min	138 mm
Da max	172 mm
ras max	1.5 mm
Category	Roller Bearings
Inventory	0.0
Manufacturer Name	NTN
Minimum Buy Quantity	N/A
Weight / Kilogram	4.005
Product Group	B04144